



PRODUCTS CATALOG

ELECTRICAL ENCLOSURES & MODULAR CABINETS



20

exmweb.com

NEMA 4X ENCLOSURES

5412 ESSMCH

STAINLESS STEEL JIC ENCLOSURES (FEET SUPPLIED IN A KIT)

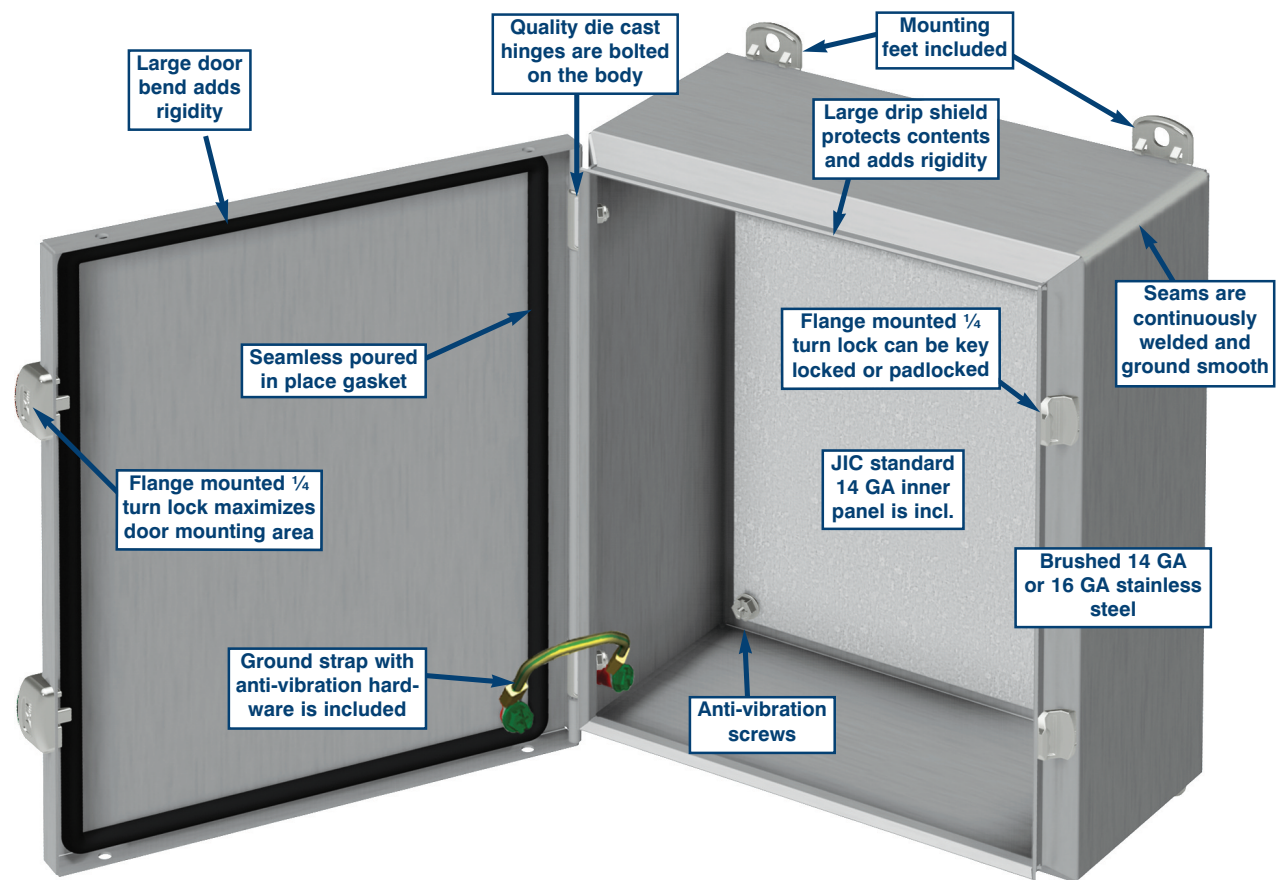
The 5412 ESSMCH are used indoors or outdoors to protect the enclosed controls from dust, dirt, oil and water splashing. The 5412 ESSMCH are made of high quality 16 GA (Type 304) stainless steel, with continuously welded corner seams. The opening has a curled lip around all sides to increase rigidity and prevent dripping water from entering the enclosure when the door is open. A high quality, robotically poured-in-place, seamless gasket

ensures a complete and durable water tight seal. The enclosures feature die cast hinges, which are bound to the cover by an exclusive concealed hinge pin system. The covers are interchangeable and can be removed by unfastening the anti-vibration lock nuts. **EXM's exclusive flange-mounted 1/4 turn locking system** ensures positive closing. **Each enclosure comes complete with a 14 GA galvanized inner panel,** which mounts on welded nuts.

The enclosure can be internally or externally mounted using the incorporated wall mounting feet. These feet have oblong holes to facilitate installation. Inner panel is galvanized (other colors available).

**CSA Certified / UL Listed
NEMA/EEMAC 4X / IP66**

**Refer to p.734 to validate
choice of substrate for the
application**



p.499



p.499



p.499



p.554



p.597

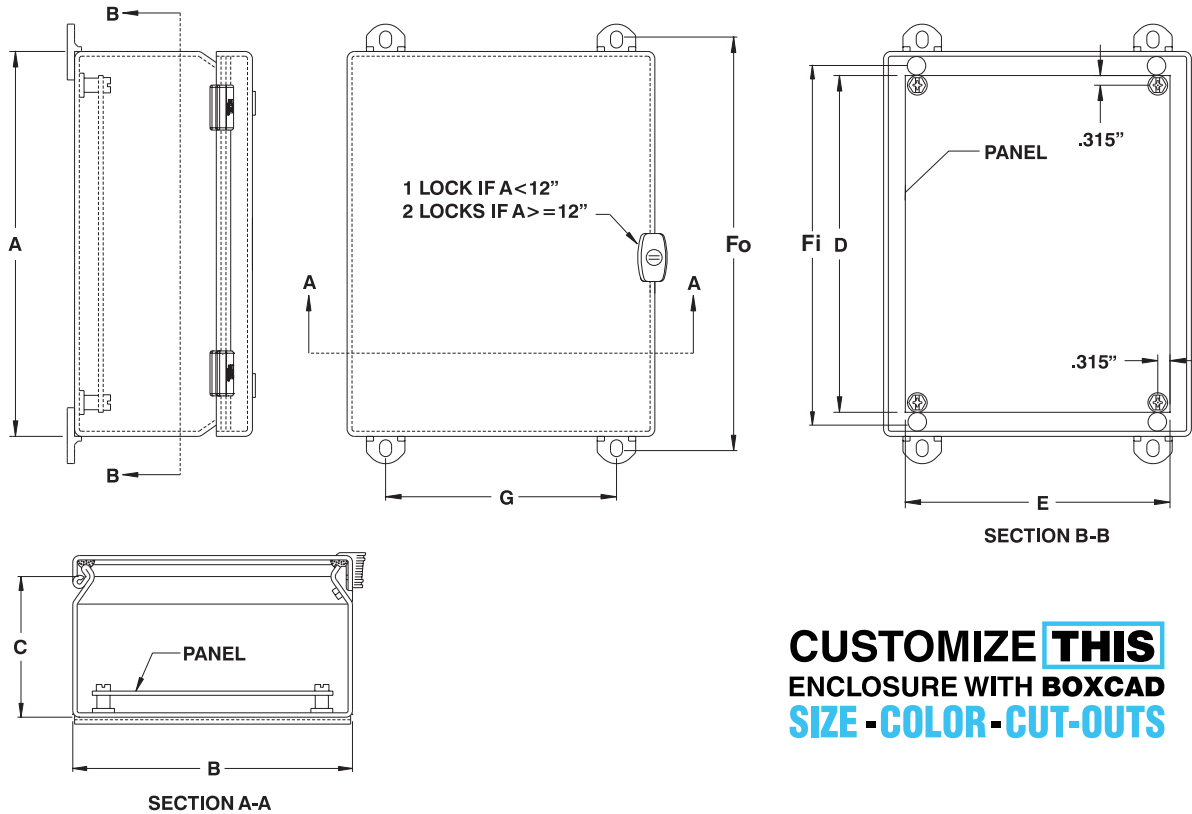


p.603



p.625

STAINLESS STEEL JIC ENCLOSURES (FEET SUPPLIED IN A KIT)



CUSTOMIZE THIS
ENCLOSURE WITH **BOXCAD**
SIZE - COLOR - CUT-OUTS

CATALOG NUMBER	DIMENSIONS								SHIP WGT LBS.
	A	B	C	D	E	Fo	Fi	G	
5412 ESSMCH040403	4	4	3	No.Pan.	No.Pan.	4.75	3.312	2	2
5412 ESSMCH060403	6	4	3	4.88	2.88	6.75	5.312	2	3
5412 ESSMCH060404	6	4	4	4.88	2.88	6.75	5.312	2	4
5412 ESSMCH060604	6	6	4	4.88	4.88	6.75	5.312	4	5
5412 ESSMCH080604	8	6	4	6.88	4.88	8.75	7.312	4	6
5412 ESSMCH080804	8	8	4	6.88	6.88	8.75	7.312	6	8
5412 ESSMCH081004	8	10	4	6.88	8.88	8.75	7.312	8	10
5412 ESSMCH100804	10	8	4	8.88	6.88	10.75	9.312	6	10
5412 ESSMCH120604	12	6	4	10.88	4.88	12.75	11.312	4	8
5412 ESSMCH060605	6	6	5	4.88	4.88	6.75	5.312	4	6
5412 ESSMCH080605	8	6	5	6.88	4.88	8.75	7.312	4	7
5412 ESSMCH101005	10	10	5	8.88	8.88	10.75	9.312	8	14
5412 ESSMCH101205	10	12	5	8.88	10.88	10.75	9.312	10	16
5412 ESSMCH121005	12	10	5	10.88	8.88	12.75	11.312	8	16
5412 ESSMCH121205	12	12	5	10.88	10.88	12.75	11.312	10	18
5412 ESSMCH080606	8	6	6	6.88	4.88	8.75	7.312	4	7
5412 ESSMCH100806	10	8	6	8.88	6.88	10.75	9.312	6	12
5412 ESSMCH101006	10	10	6	8.88	8.88	10.75	9.312	8	14
5412 ESSMCH121206	12	12	6	10.88	10.88	12.75	11.312	10	18
5412 ESSMCH121406	12	14	6	10.88	12.88	12.75	11.312	12	19
5412 ESSMCH140806	14	8	6	12.88	6.88	14.75	13.312	6	10
5412 ESSMCH141206	14	12	6	12.88	10.88	14.75	13.312	10	19
5412 ESSMCH141606	14	16	6	12.88	14.88	14.75	13.312	14	23
5412 ESSMCH161006	16	10	6	14.88	8.88	16.75	15.312	8	19
5412 ESSMCH161206	16	12	6	14.88	10.88	16.75	15.312	10	21
5412 ESSMCH161406	16	14	6	14.88	12.88	16.75	15.312	12	23
5412 ESSMCH121008	12	10	8	10.88	8.88	12.75	11.312	8	16
5412 ESSMCH141208	14	12	8	12.88	10.88	14.75	13.312	10	20
5412 ESSMCH161208	16	12	8	14.88	10.88	16.75	15.312	10	25
5412 ESSMCH161408	16	14	8	14.88	12.88	16.75	15.312	12	26
5412 ESSMCH161410	16	14	10	14.88	12.88	16.75	15.312	12	27



p.565

p.534

